

BLACKMER PARTS LIST

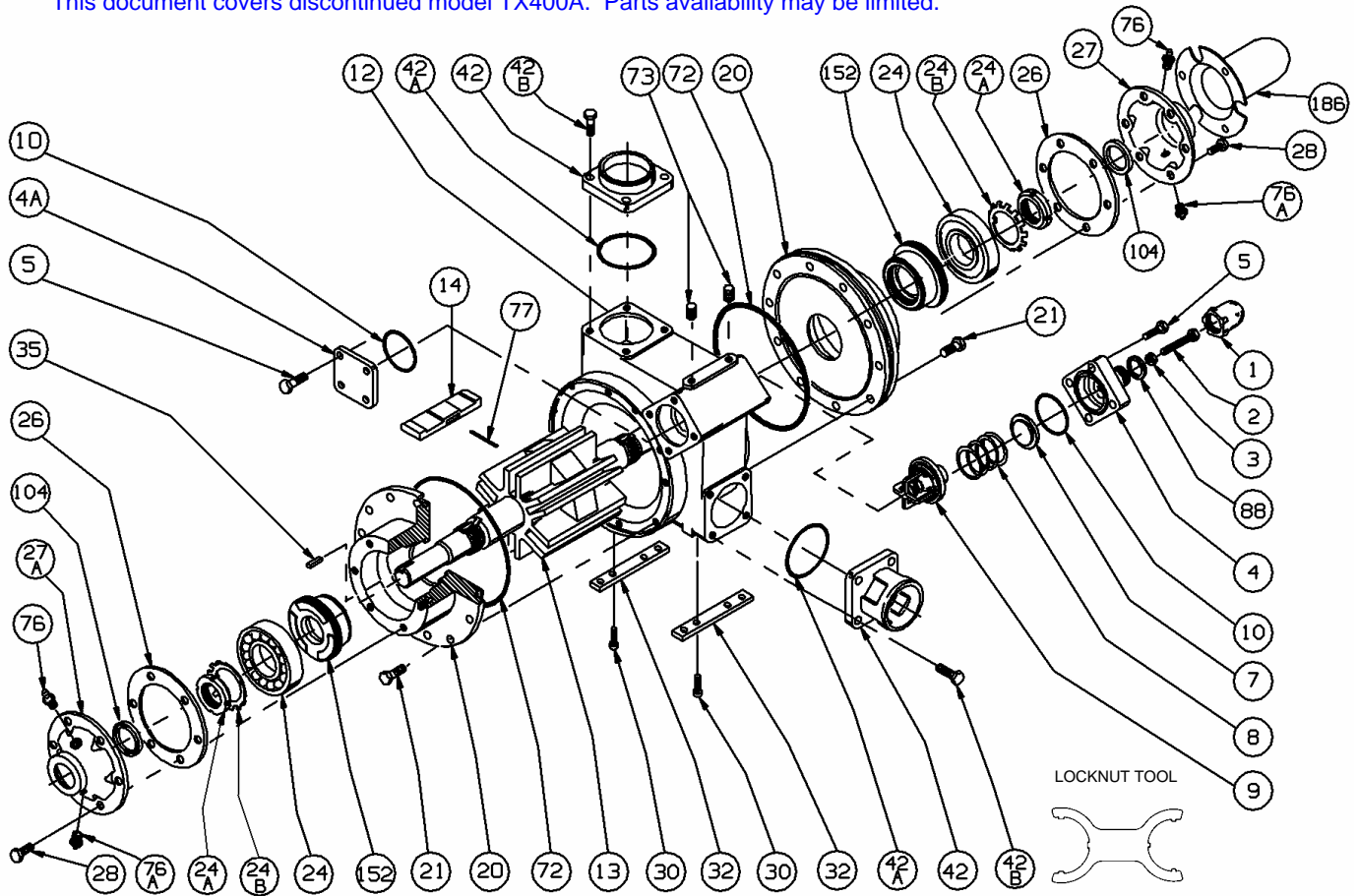
PUMP MODELS: TX400B

DISCONTINUED MODEL: TX400A

(See Instructions 205-A00 for Installation, Operation and Maintenance)

This document covers discontinued model TX400A. Parts availability may be limited.

Section 205
Effective Nov 2004
Replaces Jan 2003



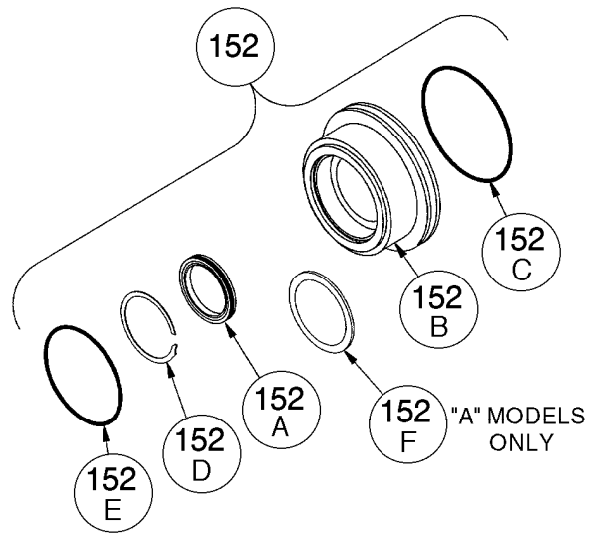
Ref. No.	Description	Parts per Pump	Part No.	Ref. No.	Description	Parts per Pump	Part No.
1	Cap - Relief Valve (R/V)	1	413952	26	Gasket - Bearing Cover	2	381817
2	Adjusting Screw - R/V	1	435109	27	Bearing Cover - Outboard	0 - 1	041817
3	Locknut - Adjusting Screw	1	922923	27A	Bearing Cover - Inboard	1 - 2	041815
4	Cover - R/V	1	411868	28	Capscrews - Bearing Cover	12	920285
4A	Blanking Plate - R/V	1	411905	30	Capscrews - Foot Bracket	4	920466
5	Capscrew - R/V Cover /Blanking Plate	8	920381	32	Foot Bracket	2	832200
7	Spring Guide - R/V	1	426907	35	Key - Shaft	1	909178
8	Spring - R/V (35-75 psi)	1	471900	42	Flange - 3" Weld	1	652007
	Spring - R/V (76-110 psi)		471832	42	Flange - 4" Weld		652005
	Spring - R/V (111-125 psi)		476908	42A	O-Ring - Flange (Buna-N)	2	701937
	SS Spring - R/V (35-75 psi)		471901	42A	O-Ring - Flange (FKM)		701968
	SS Spring - R/V (76-110 psi)		471834	42A	O-Ring - Flange (PTFE)		702101
	SS Spring - R/V (111-125 psi)		476910	42B	Capscrews - Flange	8	920640
9	Valve Assembly - R/V	1	451900		O-Ring - Head (Buna-N)	2	701944
10	O-Ring - R/V Cover/ Blanking Plate Buna-N)	2	701936	72	O-Ring - Head (FKM)		711938
	O-Ring - R/V Cover/ Blanking Plate FKM)		711931	72	O-Ring - Head (PTFE)		702233
	O-Ring - R/V Cover/ Blanking Plate (PTFE)		702080	73	Gage Plug	2	908198
				76	Grease Fitting	2	317815
12	Cylinder	1	021900	76A	Grease Relief Fitting	2	701992
14	Vane - Duravane	6	091915	77	Push Rod	3	121900
	Vane - Laminate		091918	88	Gasket - R/V Cap	1	533908
20	Head	2	031815	104	Grease Seal	2	331908
21	Capscrews - Head	20	920369	186	Shaft Protector	1	341801
24	Ball Bearing	2	903172	152	Lip Seal Asy.	2	See Back
24A	Locknut - Bearing	2	903523		Tool - Locknut		903091
24B	Lockwasher - Bearing	2	903524				

Keep this parts list with Installation, Operation and Maintenance Instructions.

LIP SEAL - STANDARD

Ref. No.	Part Name	Parts Per Pump	TX400B Part No.	TX400A Part No.
152	Lip Seal Complete - Lip Seal, Housing w/ Buna-N O-Rings.	2	331760	331751
	Lip Seal Complete - Lip Seal, Housing w/ FKM O-Rings.		331761	331755
	Lip Seal Complete - Lip Seal, Housing w/ PTFE O-Rings.		331762	331753
152A	Lip Seal w/FKM O-Ring	2	331763	331856
	Lip Seal w/PTFE O-Ring		331764	331752
152B	Housing - Lip Seal	2	331877	331877
152C	Outer O-Ring - Housing (Buna-N)	2	701936	701936
	Outer O-Ring - Housing (FKM)		711931	711931
	Outer O-Ring - Housing (PTFE)		702080	702080
152D	Retaining Ring - Lip Seal	2	903561	903561
152E	Inner O-Ring - Housing (Buna-N)	2	702004	702004
	Inner O-Ring - Housing (FKM)		702086	702086
	Inner O-Ring - Housing (PTFE)		702078	702078
152F	Spacer Washers*	0 - 8	NONE	331754

* Spacer washers (152F) are used for Discontinued TX400A models only



MECHANICAL SEAL - OPTIONAL

Ref. No.	Part Name	Parts Per Pump	Part No.
153	Mechanical Seal Complete - SS Stationary Seat, PTFE O-Ring, Carbon Seal Face w/ PTFE Seal Ring. (WACT)	2	331899
	Mechanical Seal Complete - Cast Iron Stationary Seat, Carbon Seal Face, Buna-N O-Rings. (INCN)		331880
	Mechanical Seal Complete - Cast Iron Stationary Seat, Carbon Seal Face, FKM O-Rings. (IVCV)		331883
	Mechanical Seal Complete - Cast Iron Stationary Seat, Bronze Seal Face, FKM O-Rings. (IVBV)		331881
	Mechanical Seal Complete - Cast Iron Stationary Seat, PTFE O-Ring, Carbon Seal Face w/ PTFE Seal Ring. (IACT)		331873
153D	O-Ring - Stationary (FKM)	2	711931
	O-Ring - Stationary (PTFE)		702080
153L	O-Ring - Rotating (FKM)	2	701962
	Seal Ring - Rotating (PTFE)		**

** PTFE Rotating Seal Ring is not available as a separate part.

